



## 1.5A/30V Over Voltage and Over Current Protector

### Description

FS6001 can disconnect the systems from its output pin (OUT) in case wrong input operating conditions are detected. The system is positive overvoltage protected up to 30V.

The internal over voltage thresholds (OVLO) is 6.0V and internal over current thresholds (OCP) is 2.2A.

FS6001 also has internal over temperature protect (OTP) function and it can monitor chip temperature to protect the device.

The device is packaged in advanced full-Green Packaging (SOT-23).

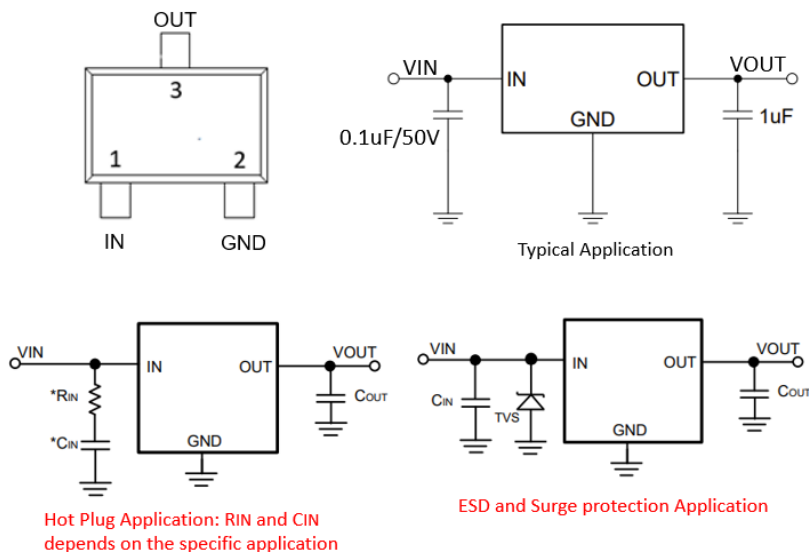
### Features

- Typical Ron: 140mΩ@1.0A
- VIN Operating Range: 3.0 to 30V
- Internal Overvoltage Lockout: 6.0V
- Internal Overcurrent Lockout: 2.2A
- OVP Response time: 50ns (typ.)
- Output Discharge
- Startup Debounce Time: 8ms
- Output Power on time: 8ms
- Internal OTSD Protection
- SOT-23 Package

### Applications

- GPS
- MID
- SLR Digital Cameras
- Industrial Handheld and Enterprise Equipment

## FS6001 Package & Simplified Schematic



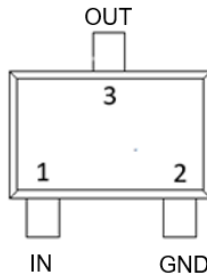
### Device Information

Part No.	Package	Quality	Operation Temp.
FS6001	SOT-23	3000	-20~85 °C



## 1.5A/30V Over Voltage and Over Current Protector

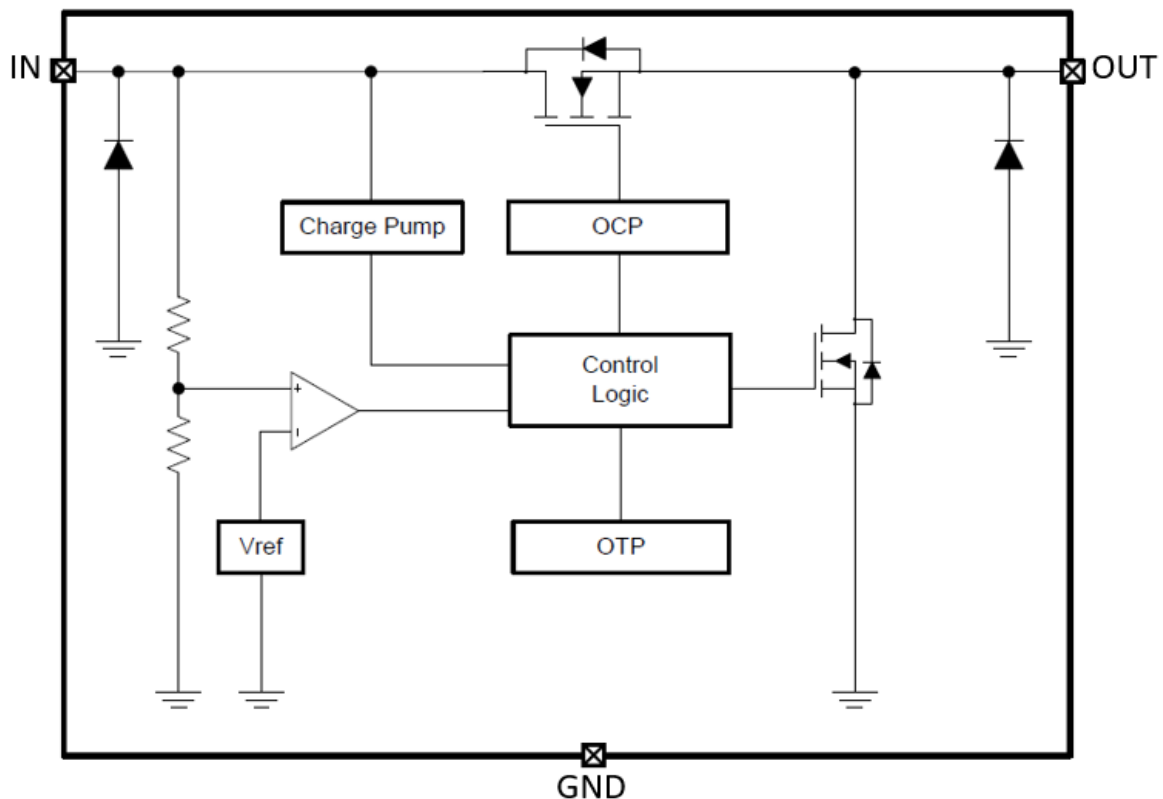
### Pin Descriptions



NAME	SOT-23	TYPE	DESCRIPTION
IN	1	P	Input pin, connect to AC adaptor or VBUS. A 0.1~1uF low ESR ceramic capacitor or larger must be connected as close as to this pin. It is recommended to use 50V capacitor or according to application.
GND	2	P	Power ground
OUT	3	O	Output pin, Connect to load.

(1) Directions: I = input, O = output, OZ = tri-state output, OD = open-drain output, IO = input/output

### Function Block Diagram



**1.5A/36V Over Voltage and Over Current Protector****Absolute Maximum Ratings ( $T_A=25^{\circ}\text{C}$ )**

Parameter		Min.	Max.	Unit
Input voltage (IN pin)	V <sub>IN</sub>	-0.3	36	V
Output voltage (OUT pin)	V <sub>OUT</sub>	-0.3	7.0	V
Power dissipation	P <sub>D</sub>		0.5	W
Thermal resistance	SOT23 $\theta_{JA}$	150		$^{\circ}\text{C}/\text{W}$
ESD(HBM)		2.0		kV
Operation temp.	T <sub>J</sub>	-40	150	$^{\circ}\text{C}$
Storage temp.	T <sub>stg</sub>	-65	150	$^{\circ}\text{C}$

**Recommended operating conditions ( $T_A=25^{\circ}\text{C}$ )**

Parameter		Min.	Max.	Unit
Input voltage (IN pin)	V <sub>IN</sub>	3.0	30.0	V
Output voltage (OUT pin)	V <sub>OUT</sub>	0	5.5	V
Output Contiguous Current	I <sub>OUT</sub>	0	1.5*	A

Notes: \* Using 25mm<sup>2</sup> FR4 Signal layer PCB (1 oz) under VM=5.0V test.



## 1.5A/36V Over Voltage and Over Current Protector

**Electrical Characteristics** ( $V_{IN}=5V$ ,  $T_A=25\text{ }^{\circ}\text{C}$ ,  $R_{LOAD}=20$ )

over operating free-air temperature range (unless otherwise noted)

Parameter	Test Condition	Min.	Typ.	Max.	Unit	
<b>DC characteristics and Power-ON-Reset</b>						
VIN operating voltage	$V_{IN}$	2.5		36	V	
VIN operating supply current	$I_{VIN\_ON}$	$V_{IN}=5V$	160	250	uA	
VIN-to-VOUT ON resistance	$R_{ON}$	$V_{IN}=5V, I_{OUT}=0.1A$	130		m $\Omega$	
		$V_{IN}=5V, I_{OUT}=1.0A$	140		m $\Omega$	
Output discharge resistance	$R_{DIS}$		500		$\Omega$	
VIN undervoltage lockout	$V_{UVLO\_R}$	VIN rising	2.20		V	
	$V_{UVLO\_F}$	VIN falling	1.90		V	
Output power on time	$T_{ON}$	VIN = 0 -> 5V to output ON	8		ms	
<b>Input Over-Voltage Protection (OVP)</b>						
VIN OVLO Protection	$V_{OVLO\_R}$		5.7	6.0	6.3	V
Input low level voltage	$V_{OVLO\_HYS}$		150		mV	
OVP active time	$T_{OVP}$	VIN = 5 -> 10V with rising 1V/20ns	50		ns	
OVP recovery time	$T_{ON\_OVP}$	VIN = 10 -> 5V to output ON	8		ms	
<b>Input Over-Current-Protection (OCP)</b>						
OCP threshold	$I_{OCP}$		2.0	2.2	2.5	A
<b>Over-Temperature-Protection (OTP)</b>						
OTP threshold	$T_{OTP}$		165		$^{\circ}\text{C}$	
OTP threshold hysteresis	$T_{OTP\_HYS}$		40		$^{\circ}\text{C}$	



## 1.5A/36V Over Voltage and Over Current Protector

### Functional Description

The OVP switch with overvoltage protection feature a low 140m $\Omega$  (typical) on-resistance (RON) internal FET and protect low-voltage systems against voltage faults up to 36VDC. If the input voltage (VIN) exceeds 6.0V, or input current exceeds 2.2A, the internal FET is quickly turned off to prevent damage to the protected downstream components.

The internal FET turns off when the junction temperature exceeds +165°C (TYP.). The device exits thermal shutdown after the junction temperature cools by 40°C (TYP.).

### Input Capacitor

To limit the voltage drop on the input supply caused by transient inrush current when the switch turns on into a discharged load capacitor or short-circuit, a capacitor 0.1-1 $\mu$ F or larger must be placed between the VIN and GND pins.

### Output Capacitor

A1 $\mu$ F or larger capacitor should be placed between the OUT and GND pins.



## 1.5A/36V Over Voltage and Over Current Protector

### Package SOT-23

